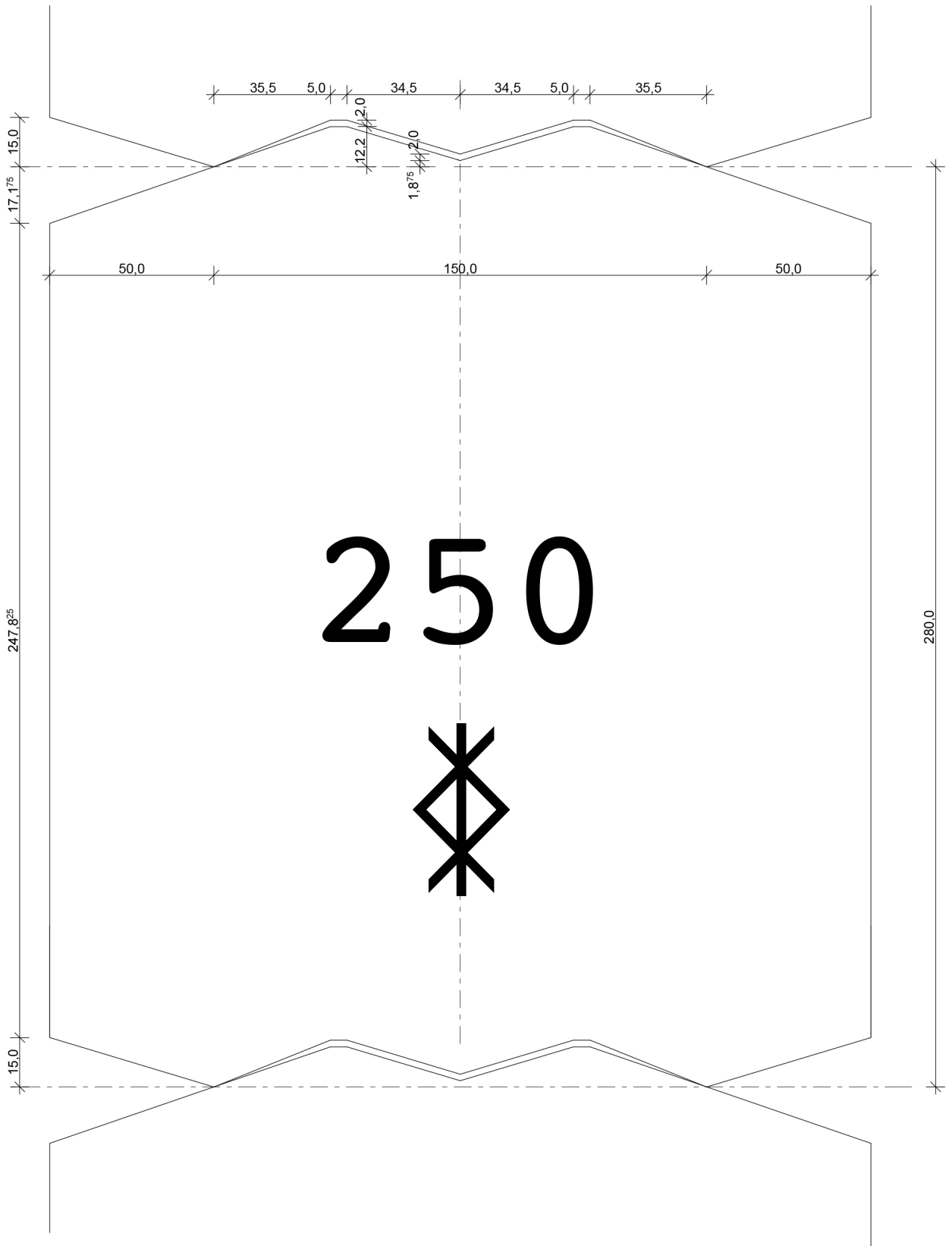


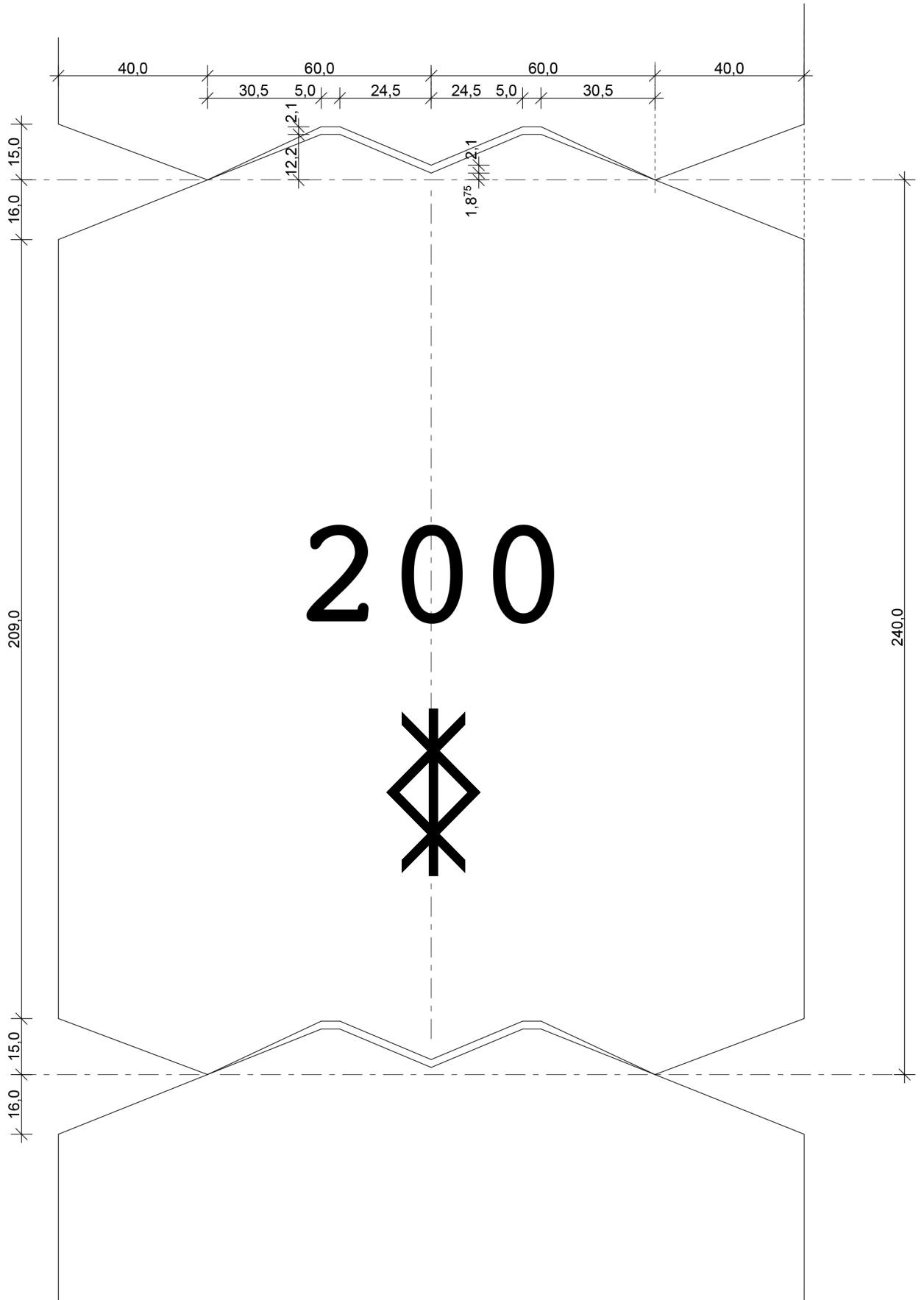


ASCETICAL

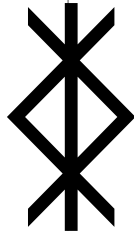
The frame and scope of this urban profile is the V-shaped groove, which is a traditional part of hewing. The groove fearlessly exhibits the triangle as the main shape of the design, as well as it features only straight, sharp edges and sharp corners. The profile has a low settling interval, very wide sides, and minimal separation [also triangle] between the logs. The improved groove barriers increase heat and wind resistance, as well as prevent sides of the beams from cracking.

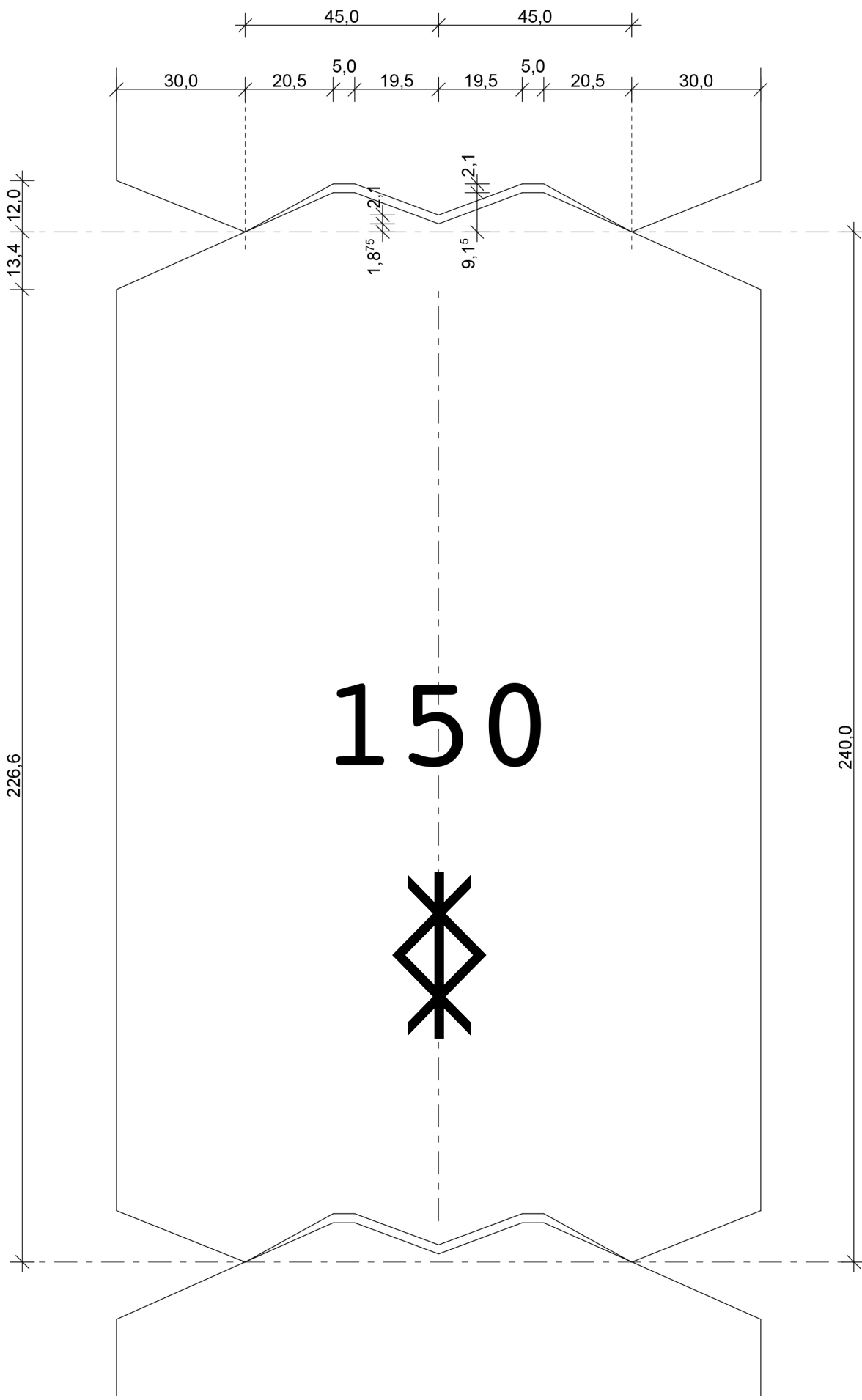




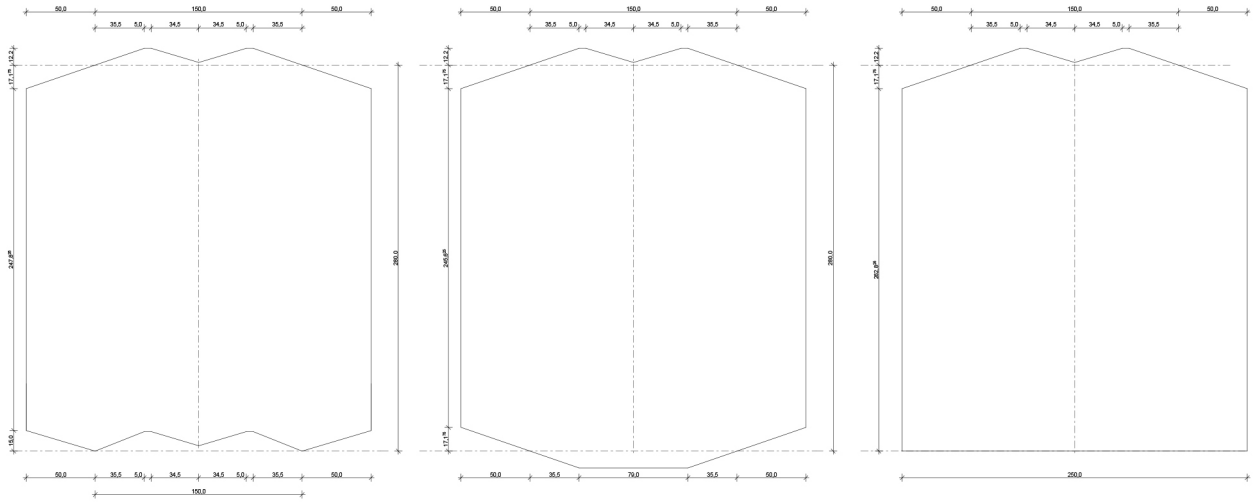


200

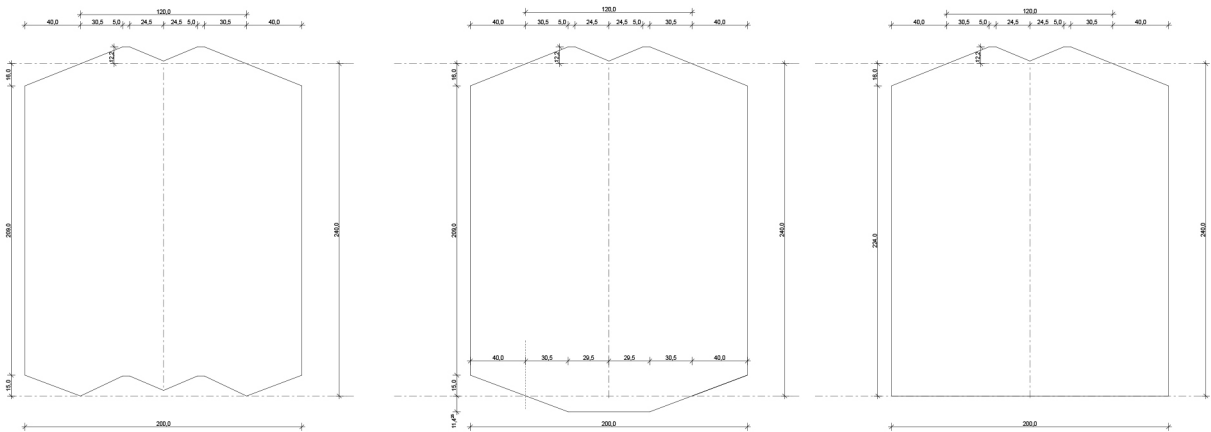




250



200



150

